

USER MANUAL

**Jamo**®

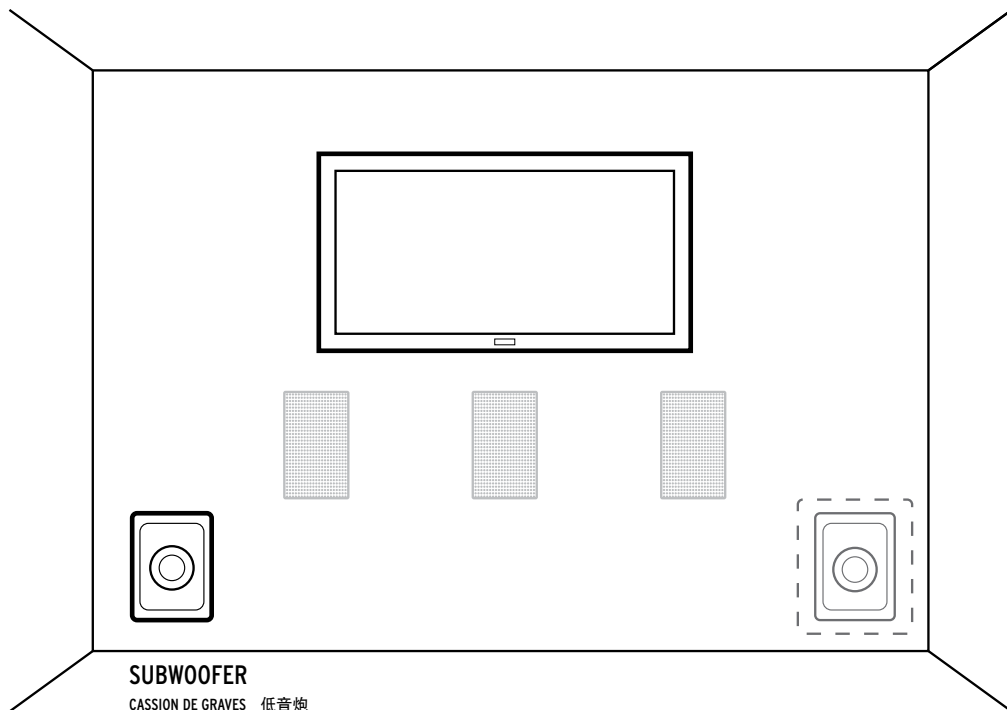
**I W 6 1 0 S W**

IN-WALL SUBWOOFER

A decorative horizontal line consisting of a series of small, evenly spaced dots, spanning the width of the page.

# PLACEMENT

POSITIONNEMENT UBICACIÓN PLATZIERUNG POSIÇÃO COLLOCAZIONE 布置

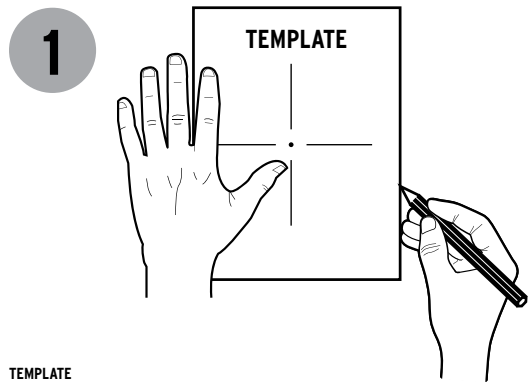


**SUBWOOFER**

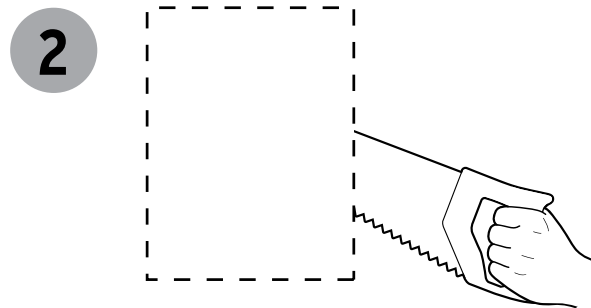
CASSION DE GRAVES 低音炮

# CUT OUT

DÉCOUPER SEPARAR AUSGESCHNITTEN RECORTAR RITAGLIARE 剪下

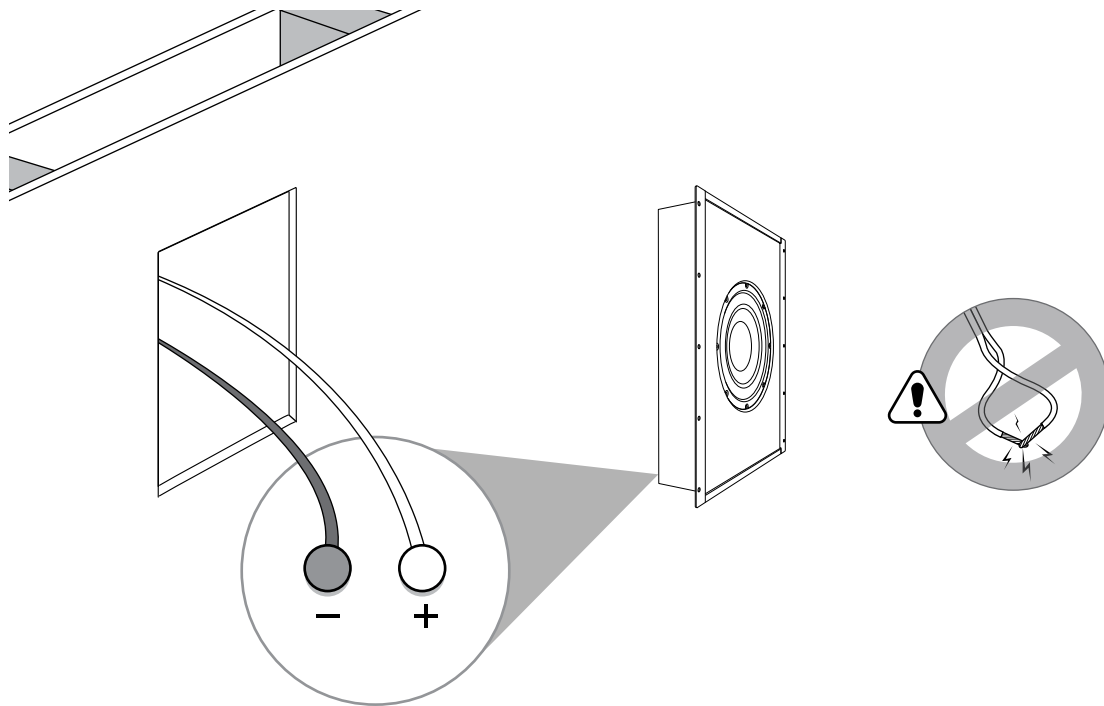


**TEMPLATE**  
GABARIT PLANTILLA SCHABLONE MODELO DIMA FORNITA 模板



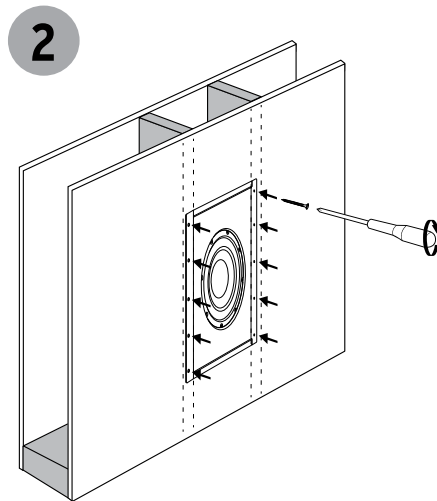
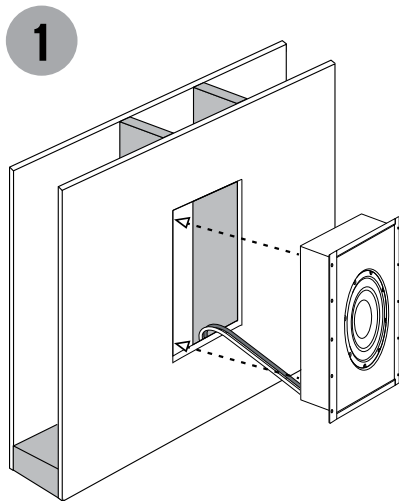
# CONNECTIONS

BRANCHEMENTS CONEXIONES ANSCHLÜSSE CONNESSIONI CONEXÕES 连接



# INSTALLATION

INSTALLATION CONFIGURACIÓN INSTALLATION APPONTAMENTO INSTALAÇÃO 设置

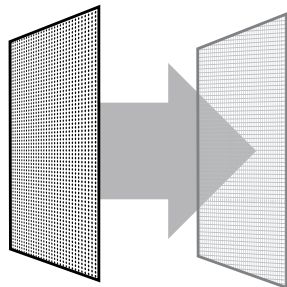


#10 1.5" DRYWALL SCREWS  
(included)

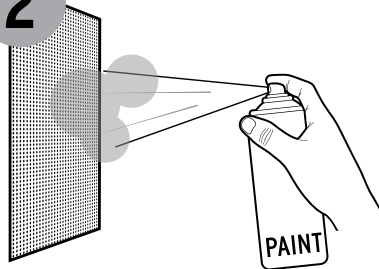
# PAINTING

PEINDRE PINTAR MALEN PINTAR VERNICE 油漆

1

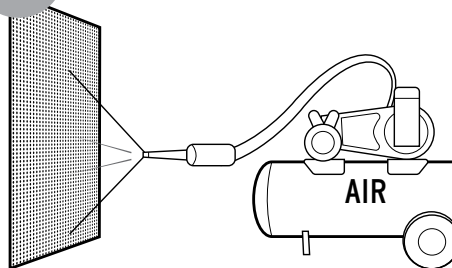


2



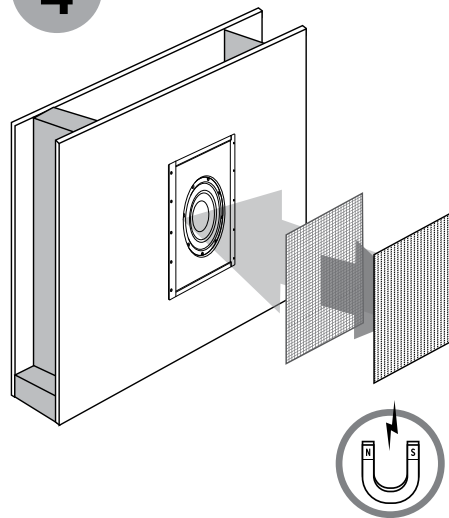
PEINDRE PINTAR MALEN PINTAR VERNICE 油漆

3



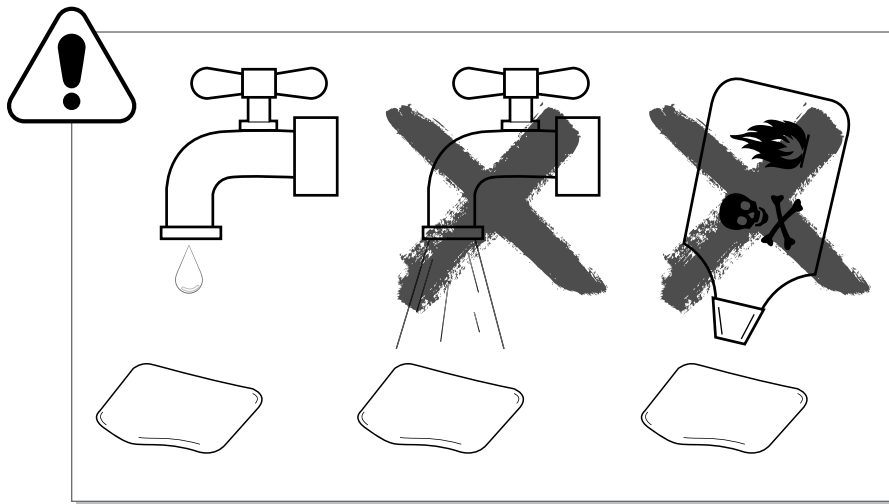
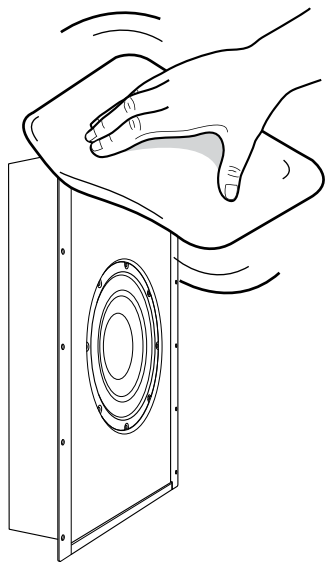
AIR AIRE LUFT AR ARIA 空气

4



# CARE AND CLEANING

ENTRETIEN ET NETTOYAGE CUIDADO Y LIMPIEZA PFLEGE UND REINIGUNG CURA E PULIZIA CUIDADOS E LIMPEZA 保养与清洁



# Jamo<sup>®</sup>

---

**jamo.com**



©2016 Klipsch Group, Inc. All Rights Reserved

Jamo is a trademark of Klipsch Group, Inc., registered in the US and other countries.

Engineered by Klipsch Group, Inc., USA, Product of China

A Wholly-Owned Subsidiary of VOXX International Corporation

1-800-554-7724 • 3502 Woodview Trace, Indianapolis, IN USA 46268-1104